

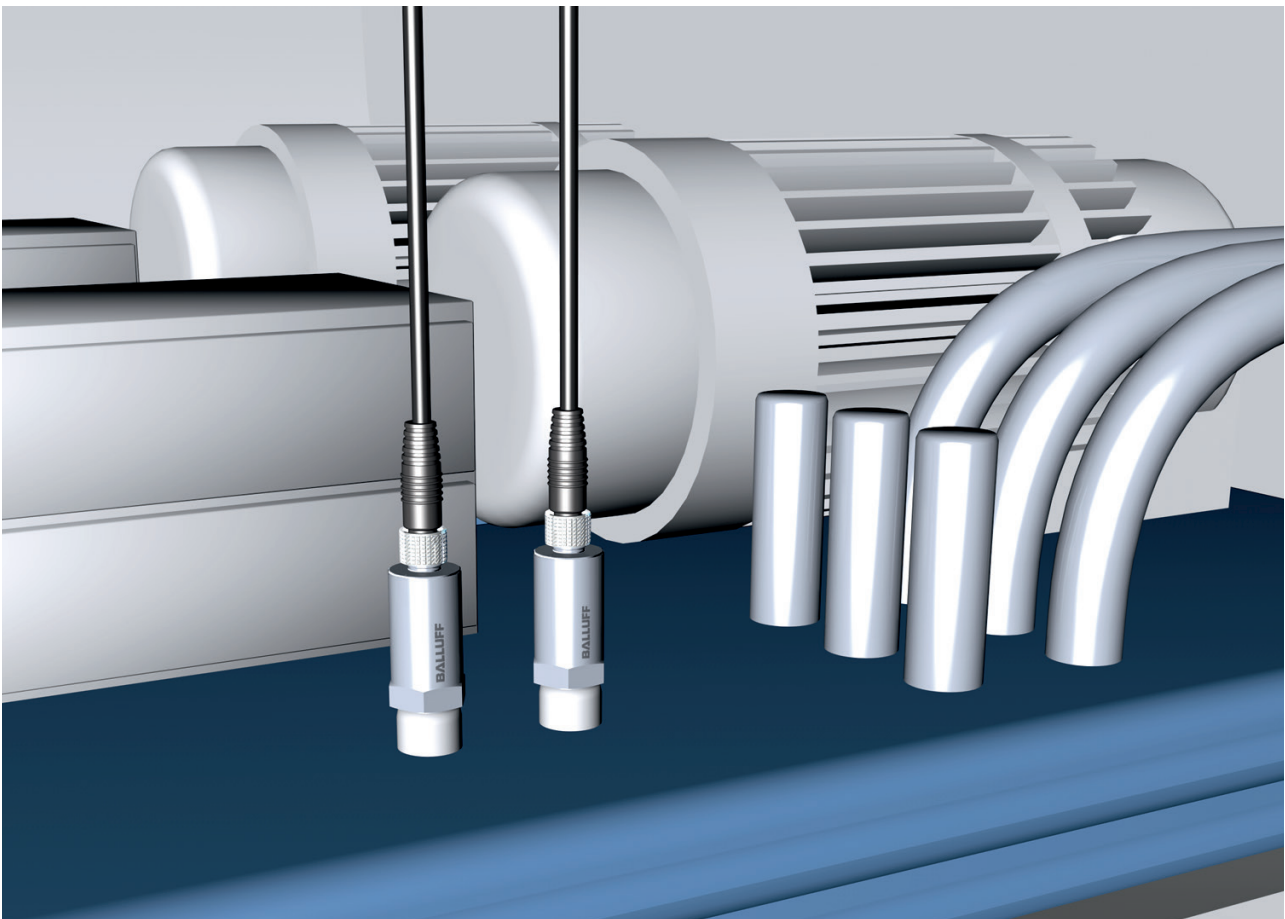
**Continuous measurement transmission via IO-Link
and additional switching points in SIO mode**

PRESSURE TRANSMITTER BSP WITH IOLINK INTERFACE

Compact pressure transmitters mean continually reliable pressure reading. They are space-saving and are installed directly where the action is. Pressure transmitters from Balluff feature an outstanding price-performance ratio and solve a variety of tasks in factory automation. The IO-Link interface makes all the information available to the PLC and for the diagnostics system. SIO mode turns the BSP transmitter into a pressure switch with a freely selectable switching point.

Features

- Compact
- High degree of protection in IP 67 and IP 69K
- Stable measurement independent of the surface properties thanks to TOF technology
- Short downtimes
- Temperature range -25 to $+80$ °C



PRESSURE TRANSMITTER
BSP WITH IOLINK
INTERFACE



-1...2 bar 1 x PNP	BSP00PJ	BSP00T5	BSP00UC
5 bar	BSP00PM	BSP00T8	BSP00UH
20 bar	BSP00PP	BSP00TA	BSP00UK
50 bar	BSP00PR	BSP00TC	BSP00UL
250 bar	BSP00PU	BSP00TF	BSP00UN
600 bar	BSP00PY	BSP00TJ	BSP00UR
Product group	Pressure sensor	Pressure sensor	Pressure sensor
Process connection	G 1/4" per DIN 3852	1/4" NPT	R1/4"
Supply voltage	12...32 V	12...32 V	12...32 V
Connection type	Plug	Plug	Plug
IO-Link Specification	1.1	1.1	1.1
Connector type	M12 x 1	M12 x 1	M12 x 1
Housing material	Edelstahl 1.4301	Edelstahl 1.4301	Edelstahl 1.4301
Enclosure Type per IEC 60529	IP67	IP67	IP67
Output curve deviation max.	±0,5 % FSO BFSL	±0,5 % FSO BFSL	±0,5 % FSO BFSL
Additional text	vacuum-proof	vacuum-proof	vacuum-proof

Find additional products at: www.balluff.com.

CONNECTORS



	BCC032F	BCC032H	BCC032Y	BCC032Z
Description	M12x1-Female, straight, 5-pin, A-coded	M12x1-Female, straight, 5-pin, A-coded	M12x1-Female, angled, 5-pin, A-coded	M12x1-Female, angled, 5-pin, A-coded

Services



You can rely on our support over the entire life cycle of our products and solutions: Including the design and planning of your projects, testing and setup on site, and training and support. For more information, visit us online at <https://www.balluff.com/en/de/service/services/>

www.balluff.com

Balluff GmbH · Schurwaldstrasse 9 · 73765 Neuhausen a. d. F. · Germany · Phone +49 7158 173-0 · Fax +49 7158 5010 · balluff@balluff.de

PR1P_Fluid Sensors_BSP IOL Transmitter · EN · A15 · Subject to change.