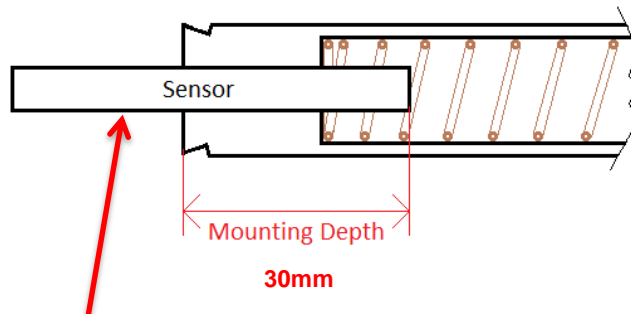


Mounting Instructions

- Insert provided inductive proximity sensor
- Mount sensor at a 30mm depth for initial set up
- Lock sensor position with provided M8 Lock Nut



**Note:** Sensor depth can be adjusted in or out to change sensor trigger point



Doc. No. 898191 Mat. No. 233812 • EN B17; Subject to changes. Replaces H16

## Compression Spring Change

**Note:** The Balluff Plunger Probe Assembly Is Assembled With a Medium Tension Compression Spring.

### Spring Change Procedure:

- Loosen Housing Bushing Nut And Remove From Plunger Probe Assembly
- Remove Plunger Tip From Assembly to Access Spring
- Remove Existing Spring From The Assembly Housing
- Insert Desired Spring Tension Spring Into The Assembly Housing
- Re-Install Plunger Tip
- Re-Install Housing Bushing Nut

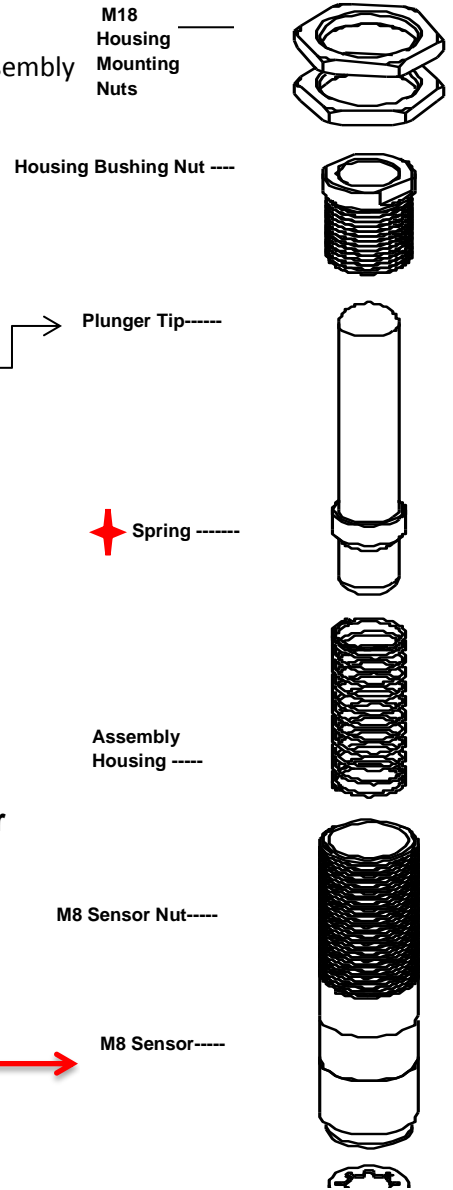


**Spring Selection**

- Low
- Medium
- High

**Available Tips**

- 01R = Round Tip
- 01P = Chisel Tip
- 01F = Flat Tip
- 01T = Threaded Tip



**Note:** Plunger Prox must be assembled with the provided sensor

### Applicable Sensors

- PNP- BES01ZW or BES01ZU
- NPN- BES01ZT or BES01ZR

