

Process security and automation flexibility

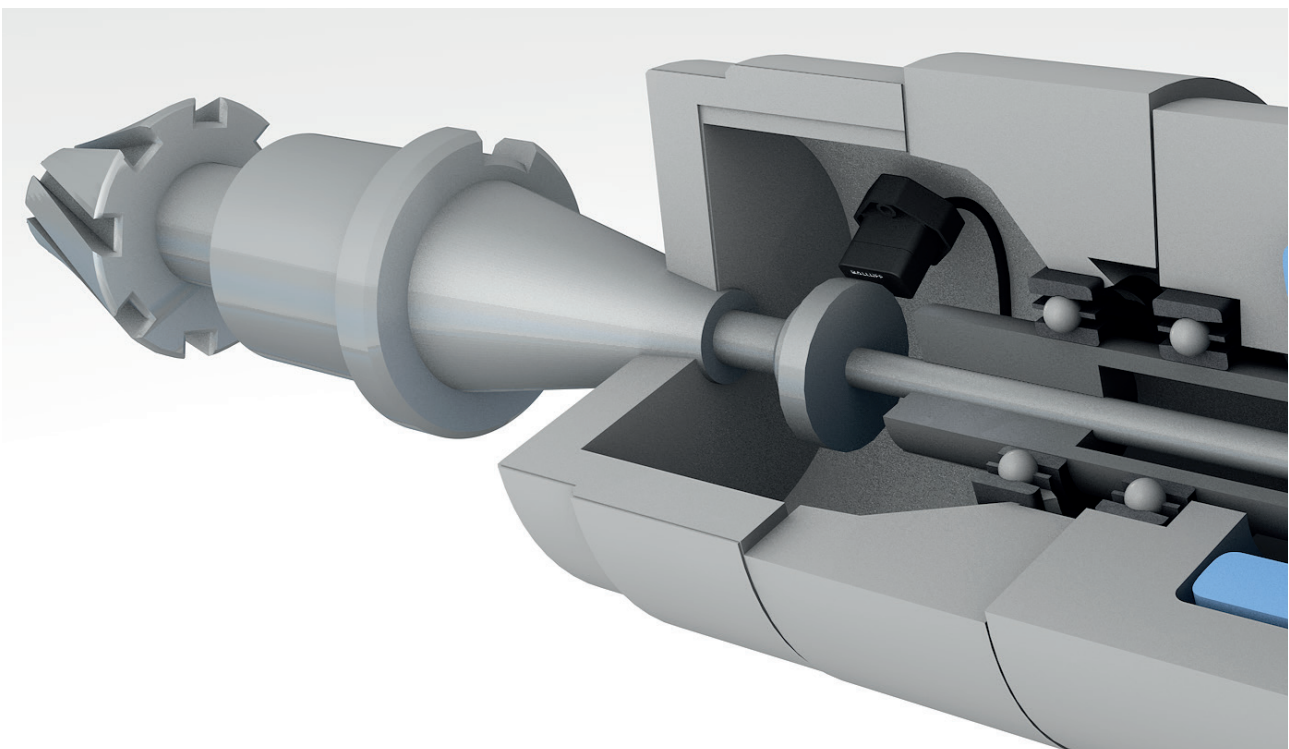
INDUCTIVE POSITIONING SYSTEM: DETECT POSITIONS CONTINUOUSLY AND WITHOUT CONTACT

Compact, precise tool spindles and tool changers on a machining center play a central role in the work process. This makes reliable and wear-free monitoring of the clamping process critical. Meet this demanding challenge easily with the new BIP01 inductive positioning system. You also benefit from its high process security and outstanding automation quality.

The positioning system offers you comprehensive diagnostic data, which can be read over an IO-Link interface. In addition to the measurement values, you also receive information about the device's status or current ambient conditions. An integrated stroke counter detects the number of clamping actions and issues warnings when a configured limit value is exceeded. An internal runtime counter continuously monitors the operating hours over the entire life of the sensor, both since the last service and the last start-up. The variety of data provided in real time helps you better achieve an efficient operation.

Features

- Flexible: Measuring range can be set for up to 17 mm
- For a variety of applications: Analog voltage and current output as well as IO-Link interface
- Reliable results: High linearity and precise repeat accuracy
- High process security: Low temperature drift
- Ready for IIoT: Format change, condition monitoring and predictive maintenance



BIP01 INDUCTIVE
POSITIONING
SYSTEMS



	BIP001Y	BIP001U	BIP001W
Dimension	35 x 35 x 31 mm	35 x 35 x 31 mm	35 x 35 x 31 mm
Style	Block style	Block style	Block style
Anschluss	Cable with connector, M12-male, 3-pin, 0,5 m, PUR	Cable, 2 m, PUR	Cable, 2 m, PUR
Cable shield	No	Yes	Yes
Housing material	PA	PA	PA
Measuring range	0...17 mm	0...17 mm	0...17 mm
Interface	IO-Link 1.1		
Analog output		Analog, voltage 0...10 V	Analog, current 4...20 mA
Output characteristic		Adjustable	Adjustable
Repeat accuracy per BWN	±50 µm	±50 µm	±50 µm
Non-linearity max.	±250 µm	±250 µm	±250 µm
Operating voltage U _B	18...30 V DC	15...30 V DC	15...30 V DC
Ambient temperature	-25...70 °C	-25...70 °C	-25...70 °C
IP rating	IP67	IP67	IP67
Approval/conformity	CE, cURus, EAC	CE, cURus, EAC	CE, cURus, EAC

ACCESSORIES



	BAM02RW	BAE00T3		
Description	Target	Programming device for BIP001U and BIP001W		
Dimensions	27 x 10 x 28 mm	96.5 x 31.3 x 61 mm		